

ROBOTIKA

2 IN 1 STICK VACUUM CLEANER

VAC7



INSTRUCTION MANUAL

Please read this manual carefully before using, and keep it for future reference.

CONTENTS

General Safety	4
Unpacking	5
Product Overview	6
How to Use	7
Assembling the vacuum cleaner	7
Assembling motorised floor brush	7
Assembling 2-in-1 Crevice Tool	7
Charging the Appliance	8
Control Panel	10
Cleaning and Maintenance	11
Cleaning the Filters	12
Cleaning the Rotary brush	13
Storing appliance after use	14
Troubleshooting	15
Specifications	16
Customer Helpline	Last Page

GENERAL SAFETY

ELECTRICAL SAFETY AND POWER CORD HANDLING

- **Voltage:** Make sure that your outlet voltage and circuit frequency correspond to the voltage stated on the power adaptor rating plate.

WARNING!

- To reduce the risk of electrocution and other electrical hazards, do not spill liquids onto the vacuum cleaner, and do not operate it with wet hands.
- Do not attempt to repair, disassemble, or modify the appliance.
There are no user-serviceable parts inside this unit.

USAGE RESTRICTIONS AND CONDITIONS

- This appliance is intended for indoor domestic use only. It is not suitable for commercial, industrial or laboratory use.
- Do not use the appliance outdoors.
- The appliance is not intended to be operated by means of an external timer.
- The appliance is not intended for use by persons (including children) with reduced physical, sensory or mental capabilities, or lack of experience and knowledge, unless they have been given supervision or instruction on the use of the appliance by a person responsible for their safety.
- Supervise children to ensure they do not play with the appliance. Do not allow children to clean the vacuum cleaner or perform user maintenance.
- Maintain the vacuum cleaner in a clean condition to avoid deterioration, which could affect its working life and result in a hazard risk.
- We accept no liability for any eventual damages due to improper use, incorrect handling or non compliance with these instructions.

UNPACKING

Before installing your appliance, read all safety instructions in this manual, especially the sections on electrical safety and installation.

UNPACKING

- When unpacking the product, be sure to keep all the packaging materials until you have made sure your new product is undamaged and in good working order. This product has been packaged to protect itself against transportation.
- Be sure to remove all packaging materials around the product and that the plastic film used is also removed.
- **CAUTION:** Plastic wrapping can be a suffocation hazard for babies and young children. Make sure all packaging materials are out of reach for children and that they are disposed of correctly.

PRODUCT OVERVIEW

- 1 Main unit
- 2 Battery indicator light
- 3 Dust bin release button
- 4 Aluminium tube release button
- 5 Aluminium tube
- 6 Floor brush release button
- 7 Pivot connection
- 8 Rotary brush
- 9 Motorised floor brush
- 10 Dust bin empty button (locking latch)
- 11 Dust bin
- 12 Charge port
- 13 Battery pack
- 14 Handle
- 15 Control panel with ON/OFF button
- 16 Wall-mounting bracket
- 17 2-in-1 crevice tool
- 18 Battery charger (adaptor)

OTHERS:
 Wall-mounting hardware
 (2 screws and set screws)



HOW TO USE

SETTING UP THE VACUUM CLEANER

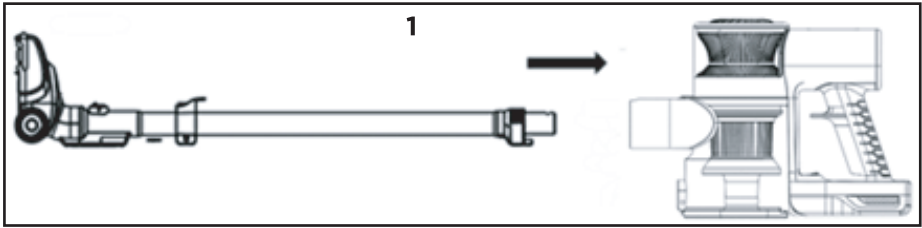
Assembling the stick vacuum

Before assembling your stick vacuum, please give it a quick wipe with a soft, dry or slightly damp cloth to remove any dust from transport. Dry thoroughly. Do not immerse it in water.

Assembling the aluminium tube

Fit the tube onto the main body's air inlet until it clicks into position (2).

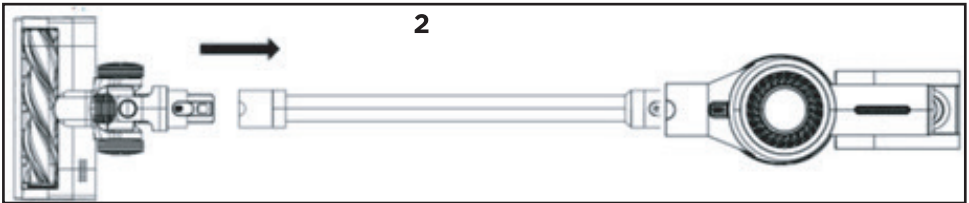
If you need to remove the tube, hold the main body, press the release button and remove the tube.



Assembling the motorised floor brush

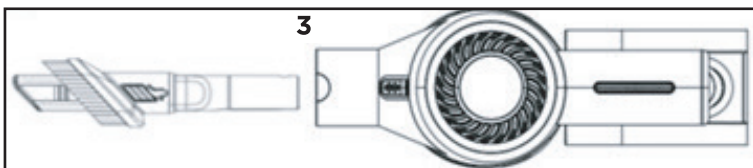
Fit the motorised floor brush on the tube until it clicks into position (2).

If you need to remove the motorised floor brush, hold the aluminum tube, press the floor brush release button and remove the brush from the tube.



Assembling the 2-in-1 crevice tool

Fit the accessory on the main body's air inlet and/or on the tube until it clicks securely into position (3).



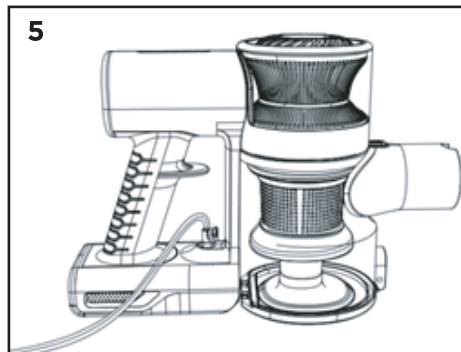
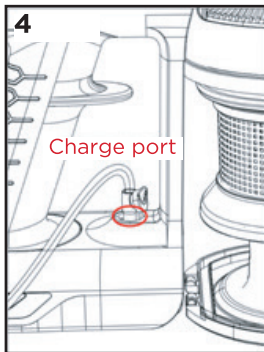
HOW TO USE (Cont.)

CHARGE BEFORE USE

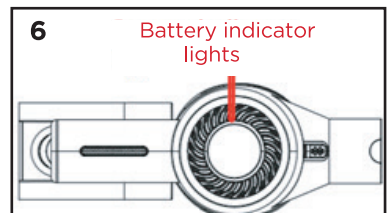
- Before first use, please fully charge the battery for 5-5.5 hours according to the instructions below.
- After subsequent use, recharge the appliance when the suction power decreases noticeably and/or the indicator light extinguishes one by one as the battery runs out.
- Only use the supplied, designated battery charger to charge the stick vacuum, as using an alternative will increase the risk of injury and/or damage to the product.

Charging the appliance

1. Place the main unit on a table or benchtop with a stable and level surface so it does not fall down during charging.
2. Make sure the unit is turned off.
3. Connect the battery charger to the charge port on the main unit (4, 5).
4. Plug the charger into a suitable mains socket for charging.



5. The battery indicator light will flash in a ring during charging and illuminate solidly in a ring when the unit is fully charged (6). Disconnect the battery charger from the power outlet and main unit when the battery is fully charged.
6. A full charge takes about 4.5-5 hours and should give you about 25 minutes work time when using the appliance on high speed, or about 40 minutes on low speed.



HOW TO USE (Cont.)

BATTERY PRECAUTIONS

- Do not at any time leave a lithium battery pack charging unsupervised.
- Do not leave the charger plugged into the power outlet while not in use.
- Before prolonged storage, apply charge to bring the battery to about half charge. Prolonged storage of an empty battery may damage the battery.
- Ensure to only use the supplied battery charger for charging the unit. Using the wrong charger can cause fire or explosion of the battery. Do not use the supplied charger to charge any other device.
- Do not use or charge the product if you notice anything wrong with the battery.
- Do not disassemble the battery pack. Do not expose it to water or other liquids, or to high temperatures. Dispose of the battery responsibly after the service life of the product. Never dispose of the battery pack in a fire: risk of explosion!

FLOOR SUITABILITY

- Do NOT use this appliance to vacuum **shag pile carpet** or flokati rugs. The rotating brush can get caught in the carpet and cause a blockage.
- The motorised floor brush has a rotating brush, which may leave marks or scratches on some hard surfaces. Before vacuuming **polished floor boards, parquetry and waxed or other treated hard floor** surfaces, test the suitability of the appliance on an inconspicuous area.
- Make sure the suction opening is always open and unblocked. Blockages can lead to overheating and damage to the motor.

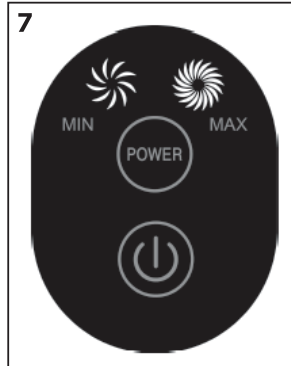
WARNING!


Do not use the cordless stick vacuum without the removable filters and dust bin in their proper position.

HOW TO USE (Cont.)

Before you start using the appliance, please ensure that the appliance is fully charged, or has sufficient charge as required. Also make sure that the appliance is properly assembled and fitted with the appropriate cleaning tool.

The control panel is located on the main unit (7).



Press the  button to switch the appliance on. The vacuum cleaner will start with a low suction speed and the MIN indicator will be illuminated.

Press the POWER button to select strong suction. The MAX indicator will light up. Press the POWER button again to revert to a low suction speed, if required.

Press the  button during operation to switch the vacuum cleaner off.

Motorised floor brush

Attach the motorised floor brush to the aluminium tube for upright vacuuming of carpets and rugs (except shag pile carpets and flokati rugs) and suitable hard floor surfaces. Hold the appliance by the handle and guide the floor brush smoothly over the surface to be vacuumed.

2-in-1 crevice tool

Attach the 2-in-1 crevice tool to the main unit for cleaning in tight spots nearby, such as around radiators, in corners, on stairs, or the car interior. Attach it to the end of the tube for cleaning around furniture, curtain rails and the like.

Battery indicator light

The battery indicator light (see .6, previous page) represents battery capacity and illuminates during use. It will extinguish one by one as the battery runs out.

CLEANING AND MAINTENANCE

WARNING!

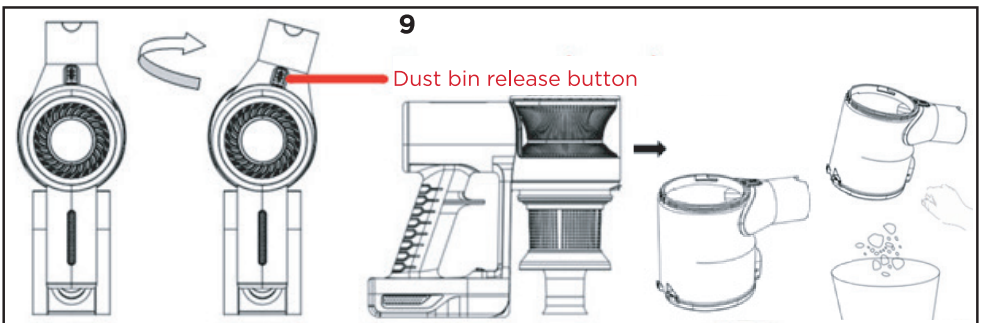
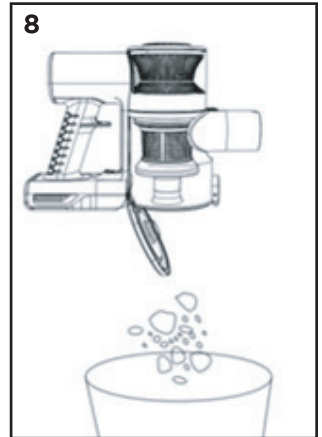
- Before cleaning the stick vacuum, make sure the main unit is switched off and cool and disconnected from the charger and wall socket.
- Do not use abrasive or aggressive cleaning materials. These could damage the surface of the appliance.

To keep the stick vacuum in good working order, and to achieve the best results when vacuuming, we recommend you empty the dust bin after every use.

Emptying and cleaning the dust bin

You can empty the dust bin either while it is still attached to the main unit, or when you have disassembled it from the main unit. In any case, please ensure you hold the dust bin over a waste bin before you press the empty dust bin button, which opens the bottom of the dust bin.

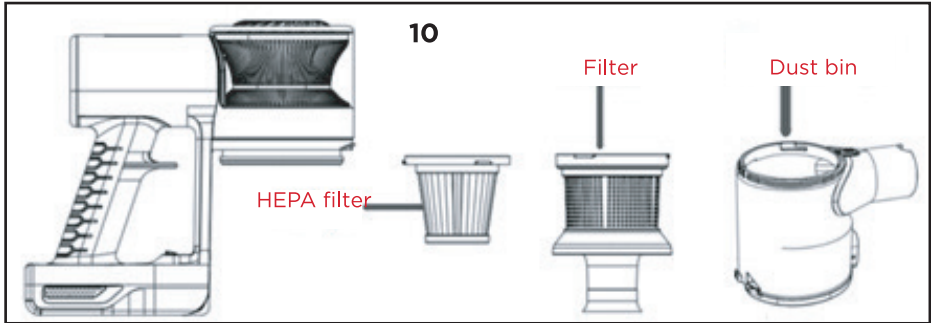
1. **To empty the dust bin while attached to the main unit**, press the DUST BIN EMPTY button while holding the unit over a waste bin so the dust falls into the waste bin (8).
2. **To remove the dust bin for cleaning or changing filters**, press and hold the DUST BIN RELEASE button and rotate the dust bin at a clockwise angle of 30 degrees, then remove the dust bin and empty the dust into a waste bin (9).



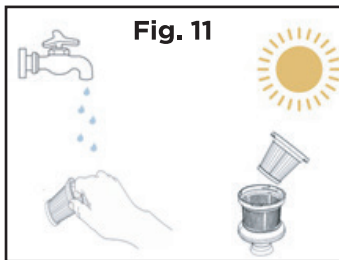
CLEANING AND MAINTENANCE (CONT.)

Cleaning the filters

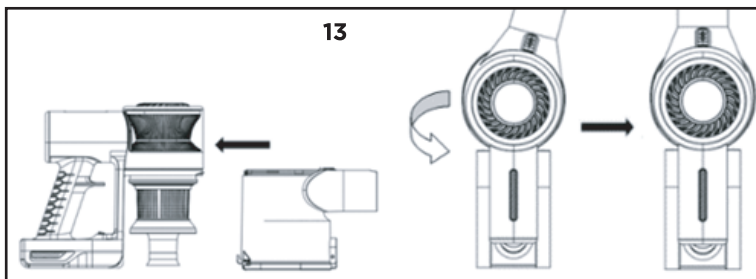
1. Remove the dust bin from the main unit and empty out any dust, following the instructions under point 2 on the previous page.
2. Remove the filter assembly (9).



3. Gently shake out loose dirt particles from the filters. If necessary, wash the filters under running water (without soap or detergent). Ensure to air-dry the filters completely in sunlight (11) before reinstalling them carefully into the dust bin (12). Do not use hot air to dry the filters.



4. Reinstall the dust bin into the main body: rotate the dust bin in anticlockwise direction into the slot until you hear it click audibly into place (13).



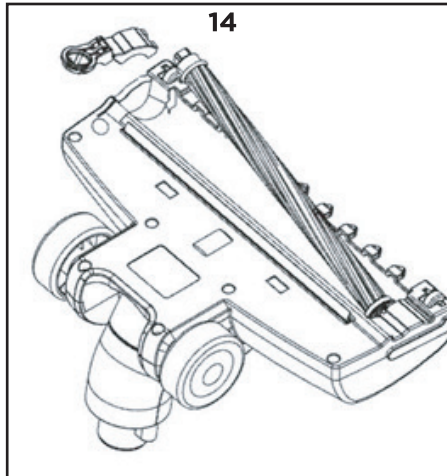
CLEANING AND MAINTENANCE (CONT.)

Cleaning the rotary brush

The rotary brush is located at the underside of the motorised floor brush. Larger dirt and dust residues, hair and threads can become caught in the brush, which can block or jam the suction mechanism and affect dirt removal. It is therefore important that you regularly check the state of the brush and clean it when required.

WARNING!

- Before cleaning the rotary brush, make sure the appliance is disconnected from the charger and the power supply.
 - Do not touch the rotating brush while the appliance is operating.
1. Press the floor brush release button and take the floor brush off the aluminium tube (or main unit). Turn the floor brush upside down.
 2. Turn the brush bottom screw to the unlock position and open the fixed device (14).
 3. Lift out the rotary brush and clean the bristles. Remove threads and hair, using a pair of scissors, if necessary.
 4. Replace the rotary brush back into its space and turn the brush bottom screw to the lock position.



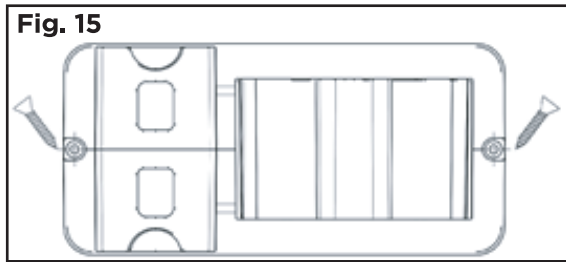
CLEANING AND MAINTENANCE (CONT.)

Storing the appliance after use

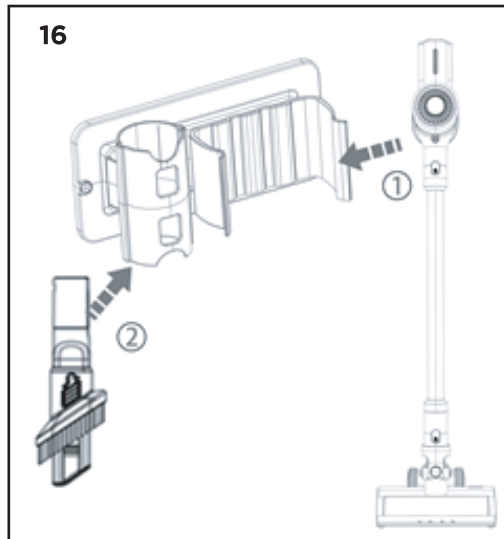
The stick vacuum comes with a wall-mounting bracket for upright storage of the assembled unit in between uses.

To wall-mount the bracket, choose a suitable spot on a sturdy wall. It should be positioned so that you can comfortably store the assembled appliance standing up. **IMPORTANT** : Make sure that the appliance touches the floor during storage.

Using the two screws and set screws supplied, affix the bracket to the wall (15).



Store the assembled stick vacuum as illustrated in Fig. 16: simply push the appliance into the holder. Once positioned correctly, it will click securely into place (1). You can store the 2-in-1 crevice tool (2) the same way, as illustrated (16).



TROUBLESHOOTING

WARNING!

Before any cleaning and maintenance checks, make sure the stick vacuum is switched off and disconnected from the charger and the power supply.

If you experience problems with the appliance, check in the table below for solutions to common problems. If our suggestions do not help you, or if you experience any other problems with the appliance, do not try and manage them by yourself. Contact our after sales support centre for advice on repair or replacement.

Problem	Possible Cause	Solution
The appliance is not working.	The battery is not (sufficiently) charged.	Recharge the appliance using the supplied charger. Ensure to charge the unit until the indicator light is no longer flashing.
	The appliance is defective.	Contact our after sales support centre for advice.
The appliance is running but hardly sucking up any dirt.	The dust bin is full or incorrectly installed.	Empty the dust bin and ensure it is properly reinstalled.
	The dust filter is blocked.	Clean the dust filters, or replace it if necessary (contact our after sales support centre).
The brush is not rotating.	Hair, threads or other debris is obstructing rotation of the brush.	Remove any obstructions from around the rotating brush at the underside of the floor brush.
The appliance will not charge.	The battery charger is not correctly connected to the charging socket or mains outlet.	Check the connections of the charger and ensure it is properly connected to the motor body and the wall outlet.

WARNING!

Switch off the appliance immediately when you notice that something is trapped inside the floor brush, such as a piece of cloth, the fringes of a carpet, etc. Before turning it on again, clean the brush and remove anything that caused the obstruction of the suction ducts.

SPECIFICATIONS

Ratings	Vacuum Cleaner input: 26Vdc 450mA Floor Brush: 22.2Vdc 15W
Dust Canister Capacity:	0.5L
Operation Time:	25 Minutes - HIGH 40 Minutes - LOW
Charge Time	Up to 5.5 hours
Battery	Yes, Rechargeable Lithium Battery
Dimensions	230 (w) x 310 (d) x 1100 (h) mm
Weights	Net: 2.3 kg / Gross: 3 kg

This product has been fully tested and meets all requirements as set out by standards AS/NZS 60335.1 and AS/NZS 60335.2.2.

ROBOTIKA

CUSTOMER SUPPORT:

info@ayonz.com

DISTRIBUTED BY:

Ayonz Pty Ltd