

ROBOTIKA

ROBOTIC VACUUM CLEANER

PROVAC-5



INSTRUCTION MANUAL

Please read this manual carefully before using, and keep it for future reference.

CONTENTS

General Safety	4
Product Overview	7
Product Operation	10
First Time Setup	10
Installing Mop for Mopping mode	11
How to Use	13
Cleaning Modes	14
App / Wi-Fi Control	16
Add app to Google Home	21
Add app to Amazon Alexa Account	21
Cleaning and Maintenance	24
Specifications	30
Customer Helpline	Last Page

GENERAL SAFETY

Read this manual thoroughly before you start using the vacuum.

Store this manual, the completed warranty card, your receipt and the product packaging.

To reduce the risk of injury:

- Avoid rain, high temperature products or direct exposure to sun.

IMPORTANT INFORMATION

- Do not expose this appliance to rain or moisture as it may result in fire or an electric shock hazard
- Do not tamper or change or modify the product in any way.
- Only use Accessories outlined and recommended by the manufacturer.
- Please do not expose the product to splashing or water contact
- Please do not place any object on top of the product including objects filled with liquids such as vases.

GENERAL SAFETY (CONT.)

PLEASE READ BEFORE USE:

- This appliance is not intended for use by persons (including children) with reduced physical, sensory or mental capabilities, or lack of experience and knowledge, unless they have been given supervision or instruction concerning use of the appliance by a person responsible for their safety. Children should be supervised to ensure that they do not play with the appliance.
- Please do not use any other accessories which not supplied with this product.
- Warning: Prevent flames and sparks, please provide adequate ventilation during charging.
- Make sure to regularly clean the filter and empty canister every few times of use.
- Do not use the device without the filter installed.
- Do not attempt to open up and fix or modify circuits inside the unit.

WARNING: For the purposes of recharging the battery, only use the charging base for charging the robot vacuum.

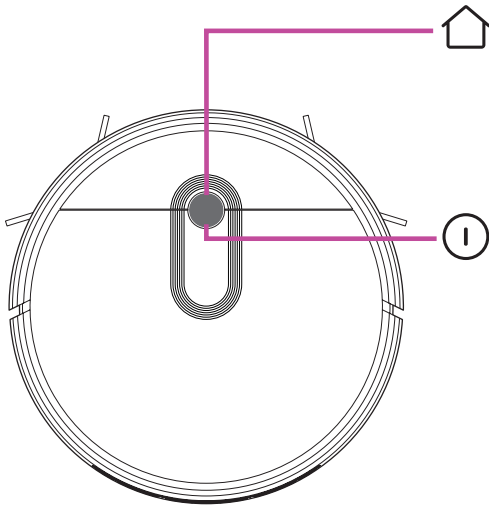
GENERAL SAFETY (CONT.)

- Please beware that Dust could accumulate over time on the unit and cause it to generate heat and or deteriorate insulation, which in turn may result in an electrical fire.
- Batteries from the remote control must be only removed by an adult, the adult must ensure to keep them out of reach of infants and children. Seek medical attention immediately if a child has swallowed a battery.
- Batteries (battery pack or batteries installed) shall not be exposed to excessive heat such as sunshine, fire or the like.
- To maintain the product do not use any chemical or cleaning agent or wet cloth, please only ensure to utilize a dry cloth to wipe it down from marks or dust and only after powering off the unit.
- Please ensure to contact our call center for any repair or service required for the products.

Please make sure upon positioning this product, the place is:

- Not wet or damp and Well ventilated
- Away from direct sunlight or heaters.
- Away from splashes or food.
- Protected from excessive dust or grease.
- Do not place containers with liquids, if liquid falls inside the products it may result in short-circuit, fire or electric shock.
- Do not place small metallic objects on top of the unit. Metal object falls inside the product it may result in short-circuit, fire or electric shock.
- Do not use or store flammable or combustible materials near the unit. Doing so may result in fire or explosion. Do not place any naked flame sources, such as lit candles, cigarettes or incense sticks on top of the unit.

PRODUCT OVERVIEW



Return to dock/Pause

- Short press for return/Pause

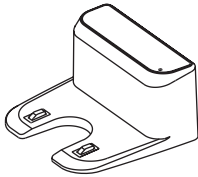
On/Off/Sweep/Pause

- Short tap for On/Pause
- Long tap 3-second for On/Off

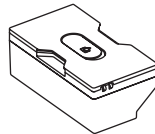
Indicator

- Blue: Normal
- Red: Abnormal or low battery
- Blue Flashing: Normal

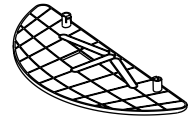
Accessories



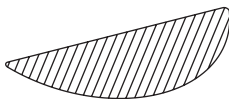
Charging Dock



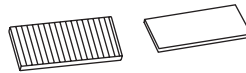
Water Tank



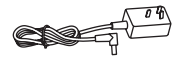
Mopping Cloth Support



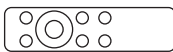
2x Mopping Cloth



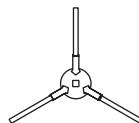
HEPA Filter + Sponge Filter



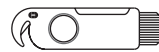
Adapter



Controller



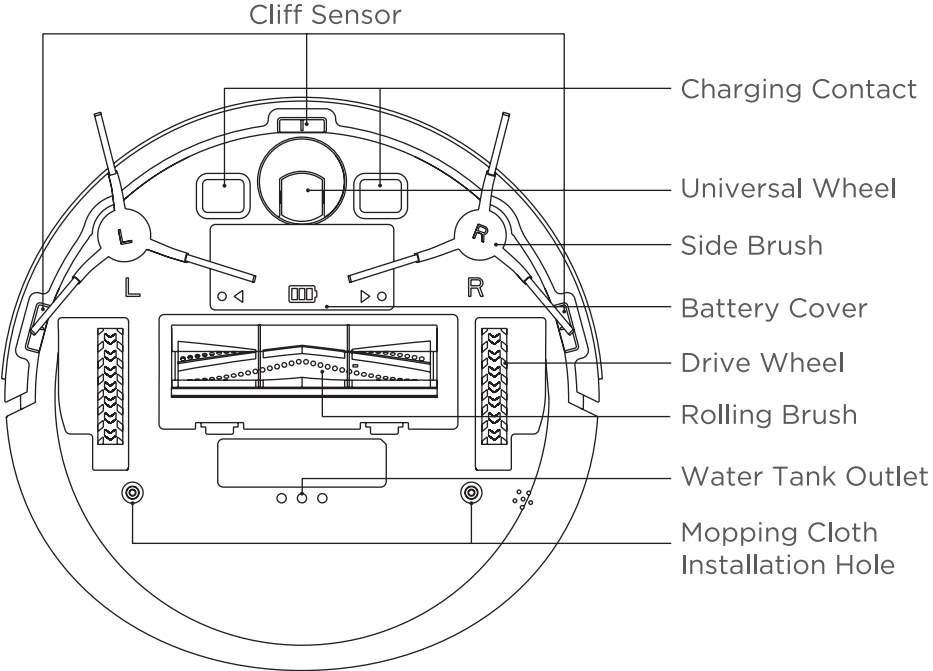
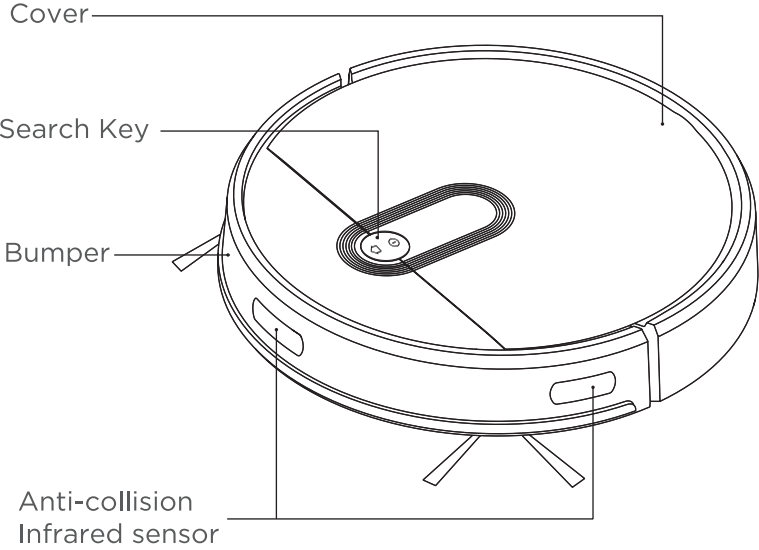
Side brush Left x 2
Side brush Right x 2



Cleaning Brush

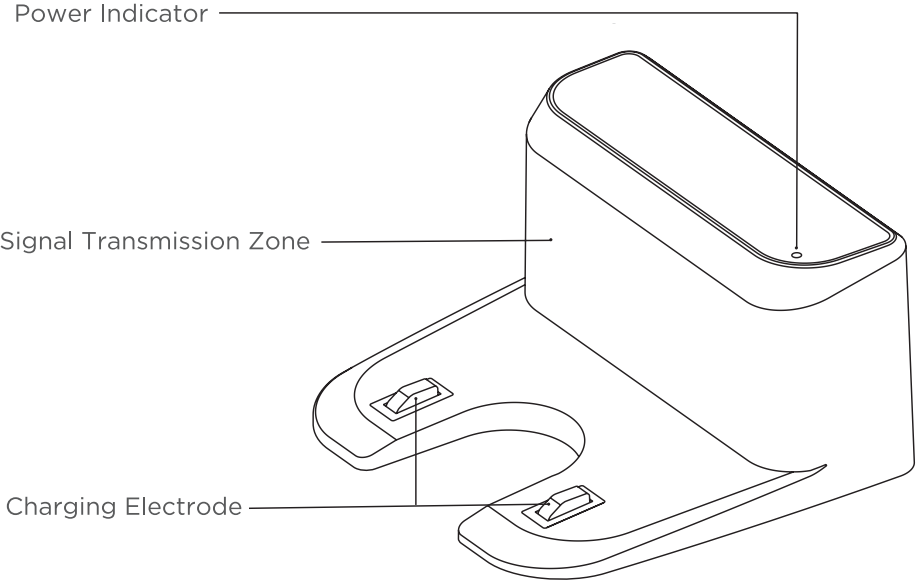
PRODUCT OVERVIEW (CONT.)

SENSOR AND STRUCTURE

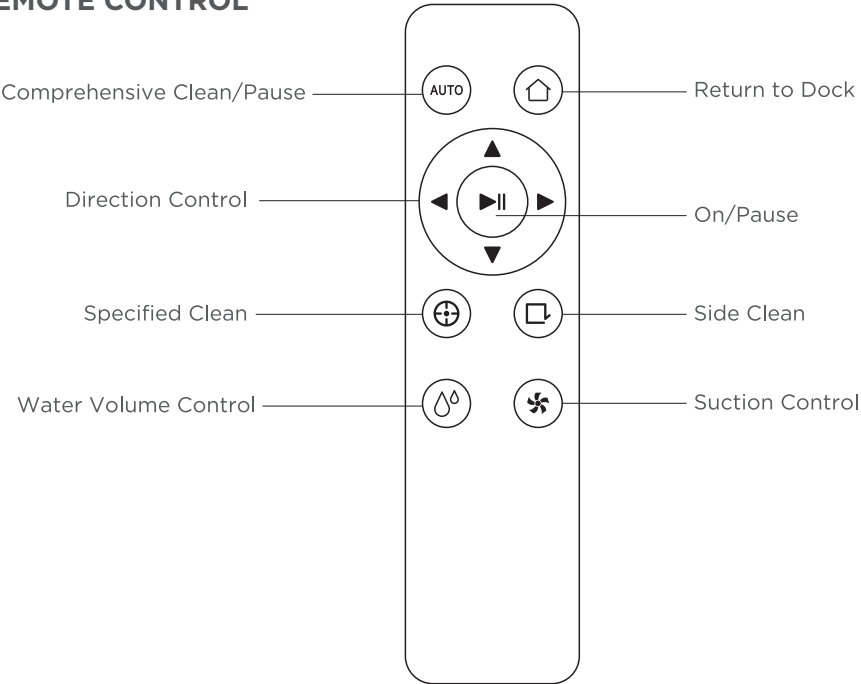


PRODUCT OVERVIEW (CONT.)

CHARGING DOCK



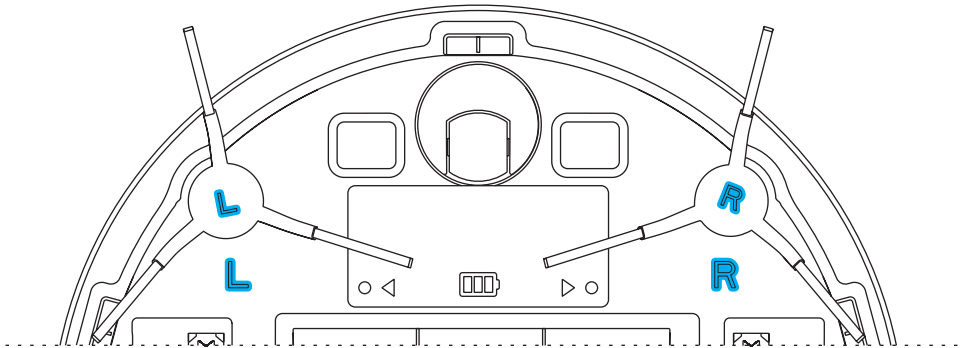
REMOTE CONTROL




PRODUCT OPERATION

FIRST TIME SETUP

1. Decide on which area you want to place the charging base and the Robot Vacuum Cleaner you want cleaned in your residential home.
 - Place the charging base up against the wall and please ensure 0.5m spare is clear on the sides and the front has a space clearance of 1.5m.
2. Plug the power adapter (included) into the wall power socket, and the DC side into the charging base. (located on the side).
3. Install the Side Brushes on the bottom side of the robot vacuum. The side brush marked (L) place on the (L) side of the robot vacuum, the side brush marked (R) place on the (R) side of the vacuum. They will click into place.

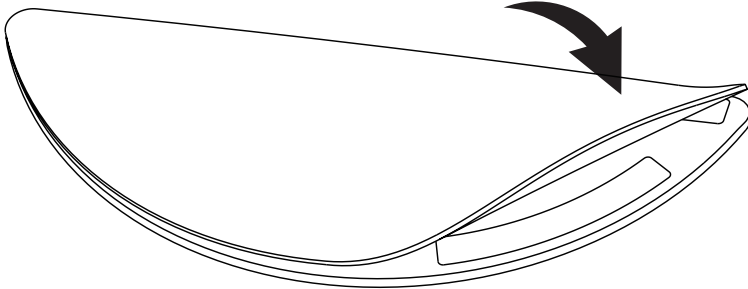


4. Hold the  button to power on the machine. When indicator is on, put the robot vacuum against the charging dock. Make sure the metal charging squares located underneath the robot vacuum match up and are placed on the metal charging squares on the charging dock.
 - Voice prompting of “Start Charging” will sound when successful.
5. Once fully charged after few hours, you can now use the robot vacuum.

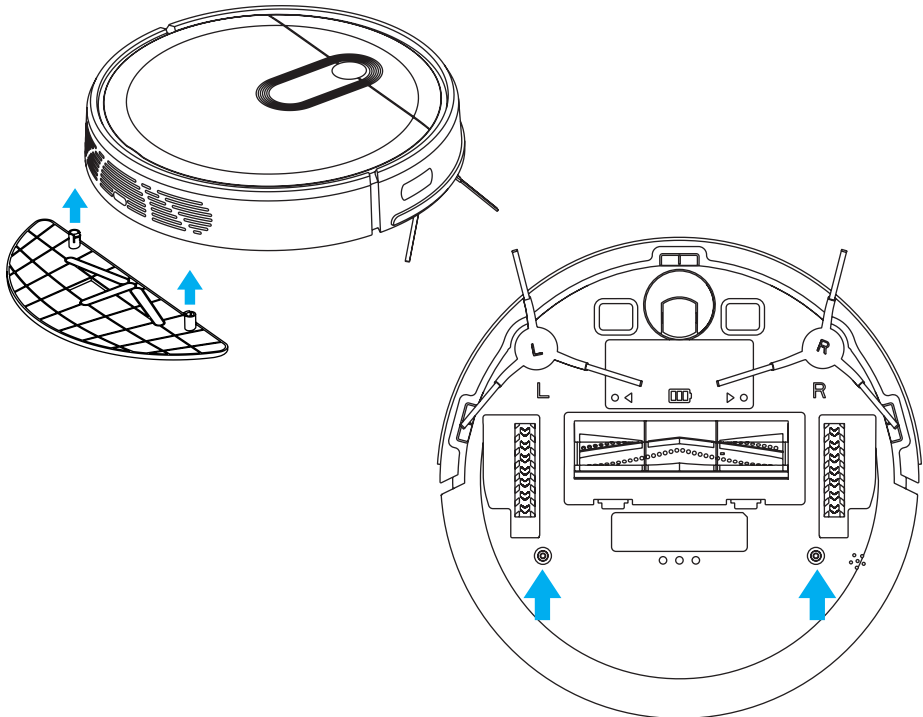
PRODUCT OPERATION (cont.)

INSTALLING MOP FOR MOPPING MODE

1. Place the mopping cloth (included) onto the Mopping Support (plastic base with strapping material). (shown below)
 - NOTE: Make sure the cloth is placed as flat as possible.

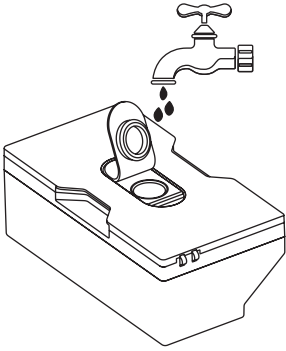


2. Install the Mopping Cloth Support into the installation holes underneath the robot vacuum cleaner. (shown below)



PRODUCT OPERATION (cont.)

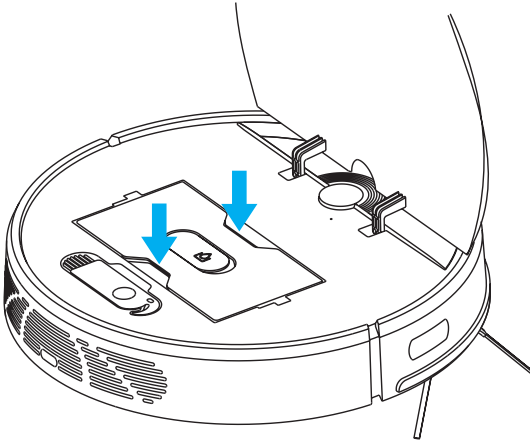
3. Take the water tank out of inside the robot vacuum, and fill with water.



Note: Do not spray and immerse the water tank.

4. Put the water tank back inside carefully. Slightly press when placing back inside so that it clicks back into place.

5. When you close the top cover of the robot vacuum, Tap the **(i)** button on the main unit to enable mopping mode.




WARNING:


- **DO NOT** charge the robot vacuum while in mopping mode. Remove water and mopping cloth to be safe.
- **DO NOT** use mopping function on carpet.
- **RECOMMEND** - Vacuum and sweep all floors you want to mop first before switching to mopping mode for best result.

HOW TO USE

POWER ON/OFF

Press and hold the  button for 3 seconds
Follow the same process to turn off the robot vacuum.

START VACUUM/PAUSE


Now that the robot vacuum is powered on, Tap the  button on the main unit or the remote control to start cleaning.

CAUTIONS:

- The robot vacuum cannot clean liquid
- Make sure the robot vacuum is 100% charged before using.
- If the power is lower than 15% charge during cleaning, the robot vacuum will automatically return back of the charging dock to charge.
- Before cleaning, tidy up all kinds of wires on the ground (including power cord of the charging dock), the robot vacuum may drag the wires while charging, which may cause power failure of other electric appliances or damage items or wires.

CHARGING

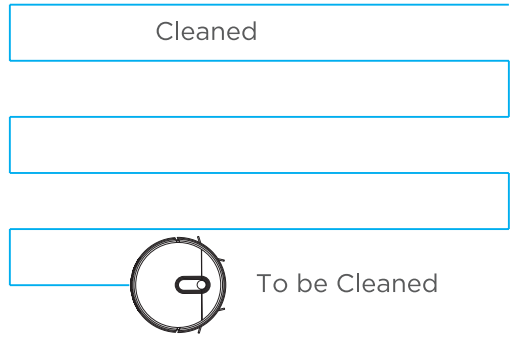
Auto Mode After cleaning, the main unit will automatically return to charging dock to charge.

Manual Mode In the pause state, press the  button to activate “Return for charging” mode or use the controller or smart app.


CLEANING MODES

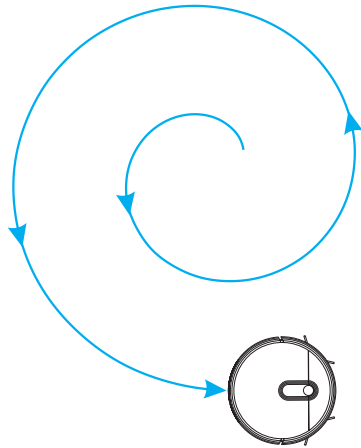
AUTO SWEEP

When you power on the robot vacuum and action it to start cleaning it will use AUTO cleaning mode. Which is a ZIG ZAG cleaning method until its finished and then it will automatically go back to charge at the charging station.




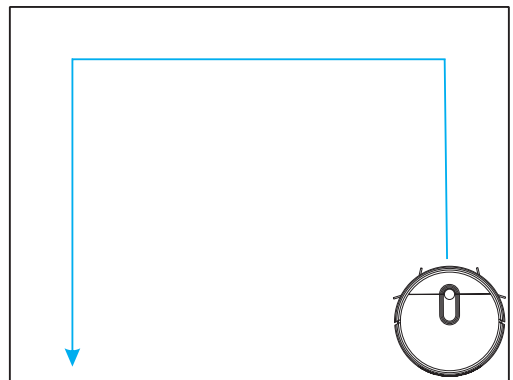
SPECIFIED SWEEP

Press the  button on the remote control so that the machine itself will start a round zone sweep with diameter of 1.2m. When completed unit will return to centre and stop.



SIDE/WALL SWEEPING

Press the  button on the remote control to command the robot vacuum to clean along the sides/walls of the room. Once finished it will return to the charging dock.



CLEANING MODES (cont.)

SCHEDULED SWEEPING

You can use the ROBOTIKA app to set a time for sweeping. The robot vacuum will automatically start sweeping at selected time and then will return to charging dock to charge. (refer to page 22).

APP / Wi-Fi Control

Working with your mobile device, using your home Wi-Fi network router to communicate with the Robot Vacuum Cleaner and control it.

CONTROLLING THE ROBOT VACUUM CLEANER REMOTELY IS VERY SIMPLE. YOU WILL NEED:

- Android smartphone or tablet, or an Apple iPhone or iPad
- Internet connection at your home
- Wi-Fi network router set up at home.

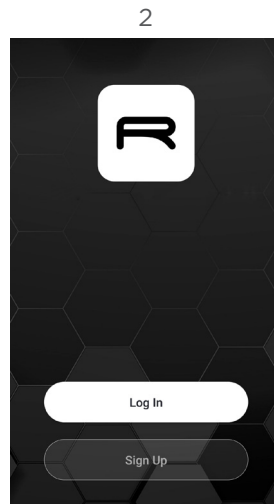
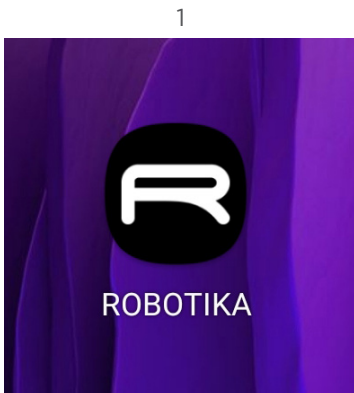
You must also have the **ROBOTIKA** App installed or updated on your smartphone or mobile device. This app is available from Google Play Store or Apple App Store.

Initial set-up

Upon completing setup of your robot vacuum cleaner, or when you have changed your mobile device or wireless router, you will have to set up the communication between the devices.

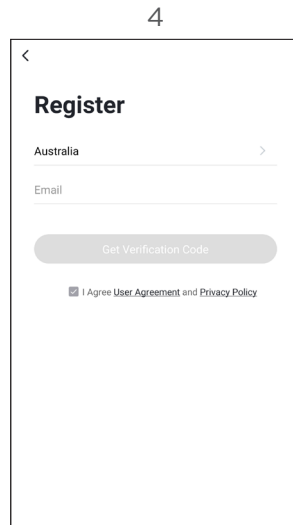
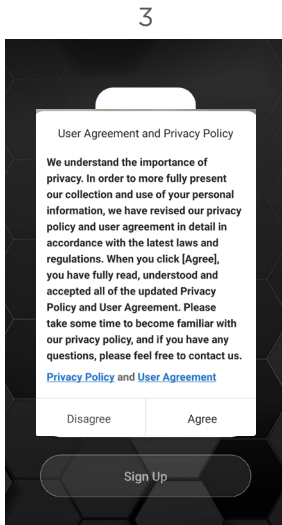
In order to do this, make sure you have the **ROBOTIKA** App installed or updated on your mobile device, your Wi-Fi router is switched on and your mobile device connected to your home Wi-Fi network.

On your mobile device, tap on the **ROBOTIKA** app **(1)**. It will open and take you to the Login Page **(2)**.



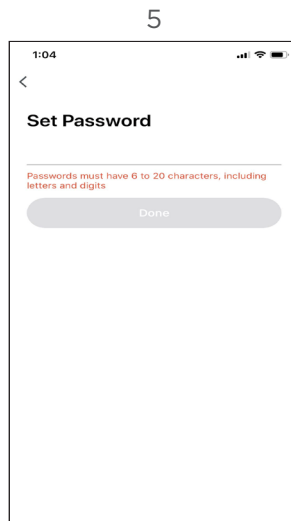
APP / Wi-Fi Control (Cont.)

Before you log in, please press **SIGN UP** and register your account using an email address. **(3 and 4)**



Once entered email address, tap **GET VERIFICATION CODE** and an email will be sent your email address with a verification code. Enter this code.

Now you can enter a password for your account. Please remember this password or write it down. **(5)**

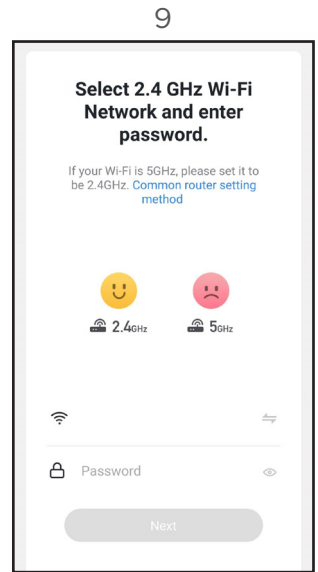
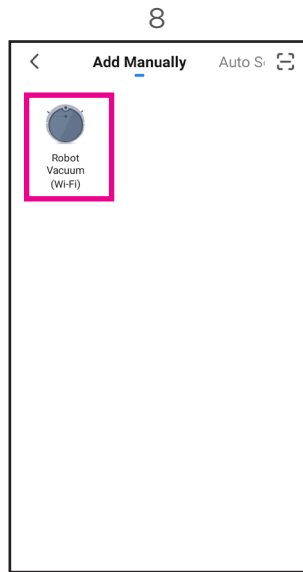
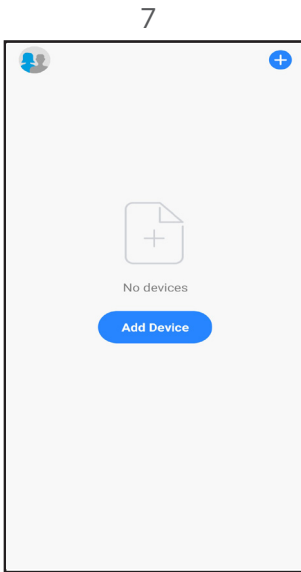


APP / Wi-Fi Control (Cont.)

1. Tap the plus (+) or **ADD DEVICE** to add your device. **(7)**.
2. Select the product which in this case is: CLEAN > ROBOT VACUUM. **(8)**
3. Select Wi-Fi network then enter in the password to connect. **(9)**

Note: Make sure to select 2.4GHz - **DO NOT** select a 5GHz Wi-Fi network.

5GHz Wi-Fi Network will not work with this app.



THIS APP ONLY WORKS WITH 2.4 GHZ WIRELESS INTERNET CONNECTION.



IF ATTEMPTING TO USE 5GHZ WIRELESS NETWORK YOUR ROBOT VACUUM WILL NOT BE DETECTED.

NEXT PAGE --->

APP / Wi-Fi Control (Cont.)

IMPORTANT

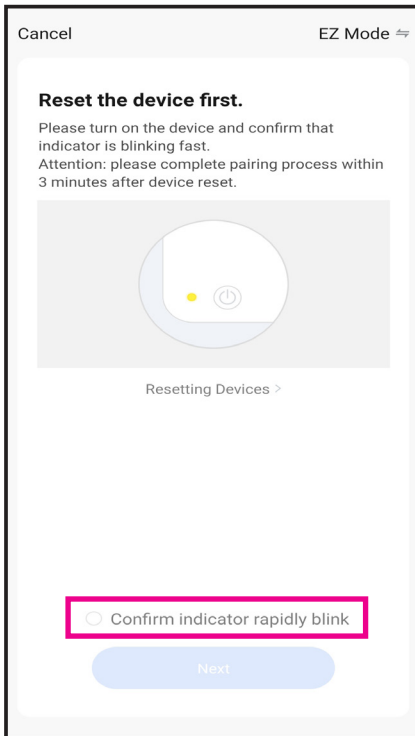
Before you can control your Robot Vacuum remotely, you must reset the Wi-Fi module on the unit. **To do so please follow instructions:**

1. Press and hold the  and  buttons on the Robot Vacuum Unit for 3 seconds and wait for a **“Connected”** voice prompt.
2. When you hear the voice prompt and the WI-FI icon starts to flash fast, let go.
3. Now that you have set it in Wi-Fi mode, on the **ROBOTIKA** app shown below:

Tick the box that states **“Confirm Indicator rapidly blink”**

so that you can then Press the **NEXT** button to enter the next screen.

Please see below box you must tick: (10).

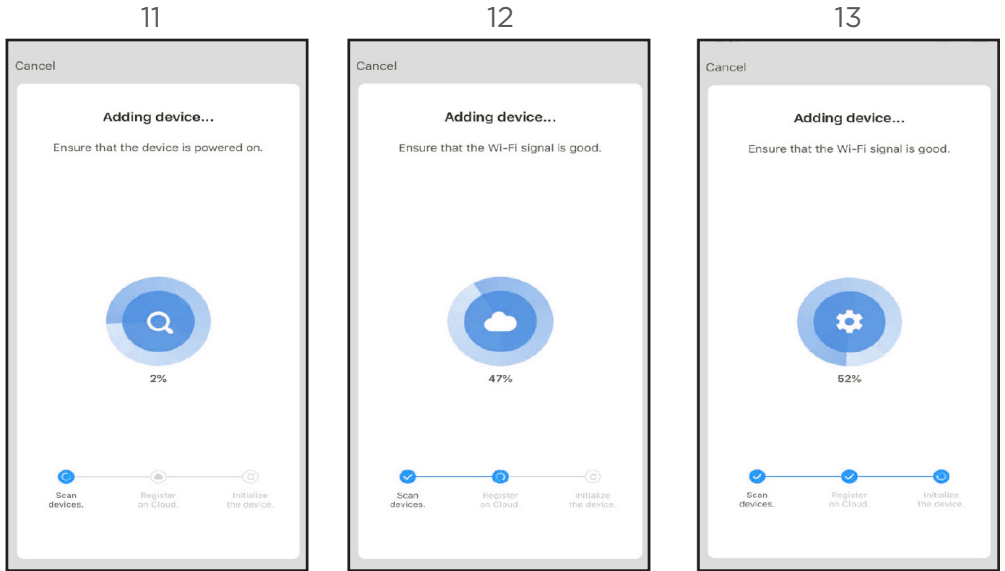


10

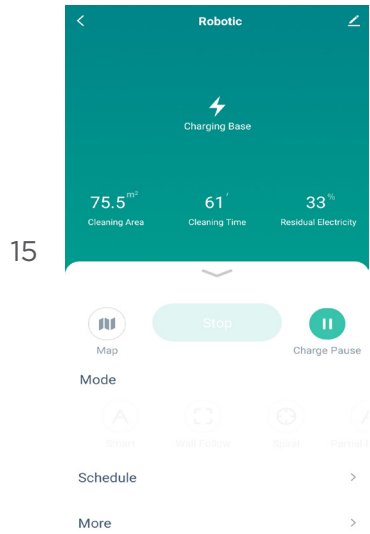
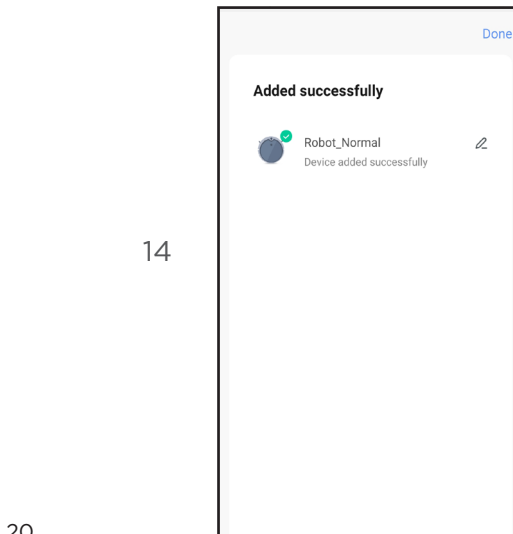
NEXT PAGE --->

APP / Wi-Fi Control (Cont.)

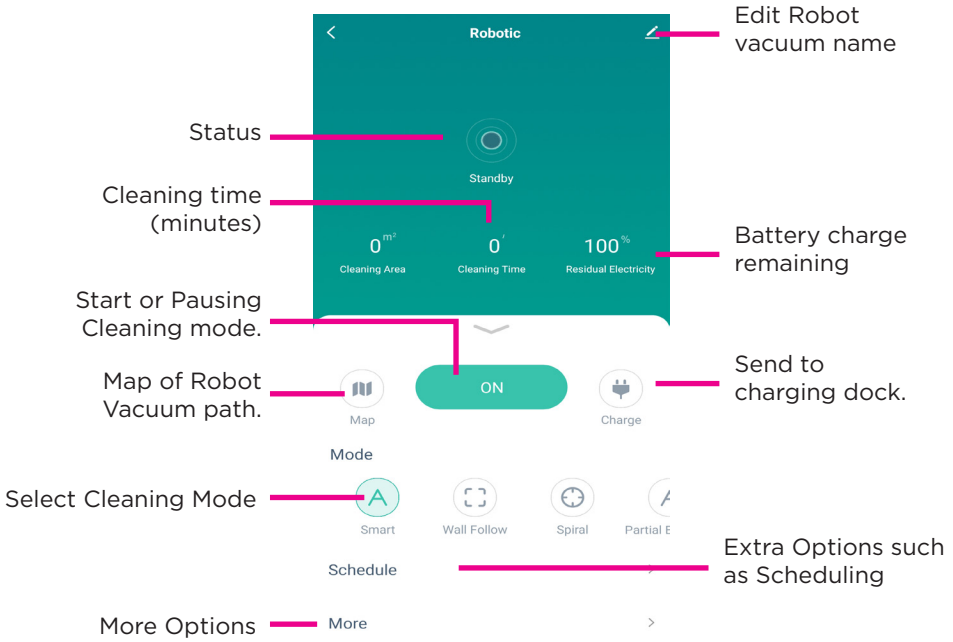
Now that the device is being added, progress screen will now appear as to below: (11, 12, 13).



Once completed, it will show your product is now added. click **DONE**. Click on the device name and you can now start navigating the controls of the app. (14, 15)



APP / Wi-Fi Control (Cont.)



MORE OPTIONS

- ADHESION -

This is the Strength of the Vacuum Suction. Gentle being softest (most quiet noise), Normal and Strong (Strongest suction and loudest noise)

- CLEANING RECORD -

This shows all the cleaning activity your robot vacuum has completed.

- CONSUMABLE LIFE -

This shows the life of accessories used such as Filter, Side Brush, Rotating Suction Brush life.

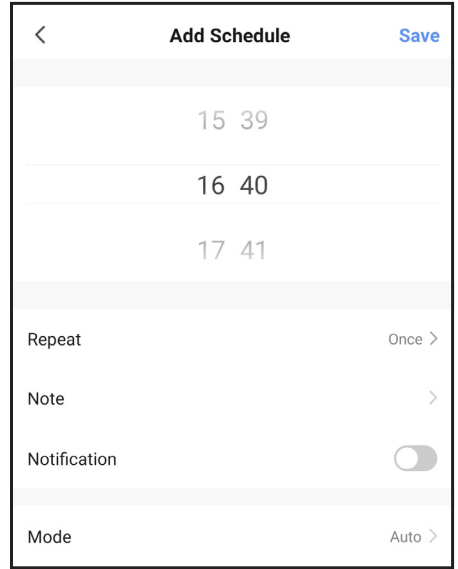
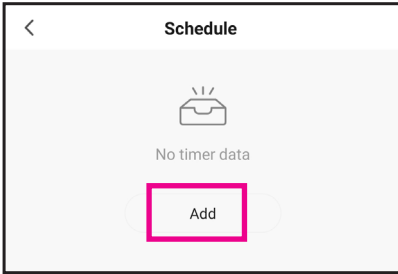
- SEEK ROBOT -

Pressing this will cause your Robot Vacuum to make a noise to find its location manually.

APP / Wi-Fi Control (Cont.)

SCHEDULE VACUUM WITH APP

1. Press **SHCEDULE** on app dashboard.
2. Select **Add** (shown below)
3. Select **time**, how often (**repeat**) and notification if you want to receive a phone notification when schedule has started.



APP / Wi-Fi Control (Cont.)

Add the **ROBOTIKA** app to your Google Home app.

1. Open your Google home app.
(Before you link your app to your Google Home app, you will have to have a Google Home account already set up.)
2. From the home screen of the Google Home App, press **ADD**. Press **SET UP DEVICE**, then select **HAVE SOMETHING ALREADY SET UP?** under the **WORKS WITH GOOGLE** banner.
3. Search for **ROBOTIKA**.
4. Press the **ROBOTIKA** app and enter your **ROBOTIKA** app account details and password. Then press **SIGN IN**.

Add the **ROBOTIKA** app to your Amazon Alexa Account.

You must have to already have an Amazon Alexa account set up.

1. Home screen of Amazon Alexa app, press the **3 bars** in the top left hand corner. **Select SKILLS & GAMES**, then search for **ROBOTIKA**.
2. Select the **ROBOTIKA** app, Ensure you have followed the steps listed, then select **CONFIRMED** and then select **NEXT**. Enter your **ROBOTIKA** account details and password then press **SIGN IN**.

* Instructions for adding **ROBOTIKA** app are general instructions only. Detailed steps or specific message from your Google Home or Amazon Alexa account may vary depending on the version.

Smartphone and Wi-Fi specification requirements

Minimum smartphone specifications

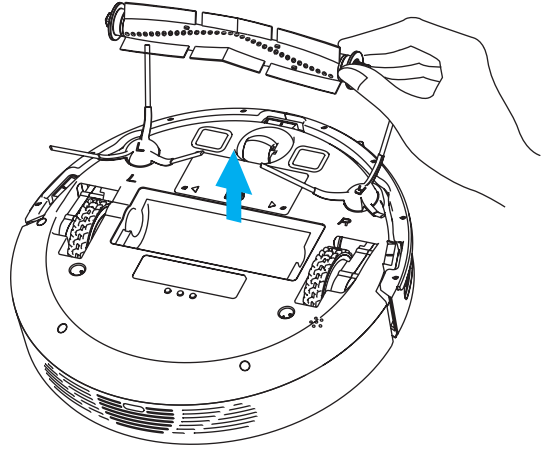
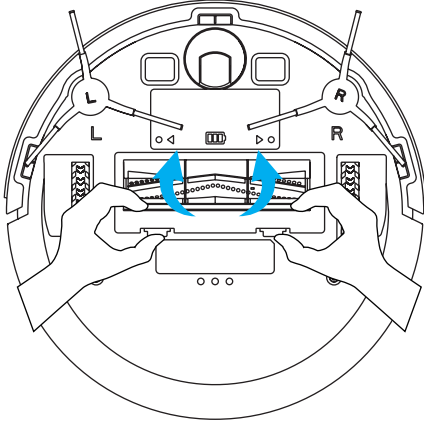
Android 5.0 version or later

IOS 9.0 version or later

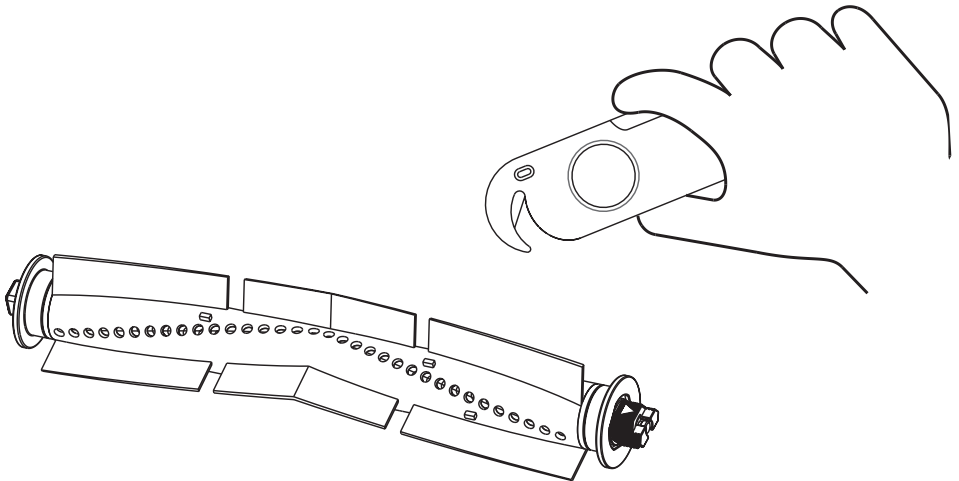
CLEANING & MAINTENANCE

ROLLER SUCTION BRUSH

1. Flip the robot vacuum upside down and press the buckle on the roller suction brush, and remove the brush cover. Then lift and take out the roller suction brush.



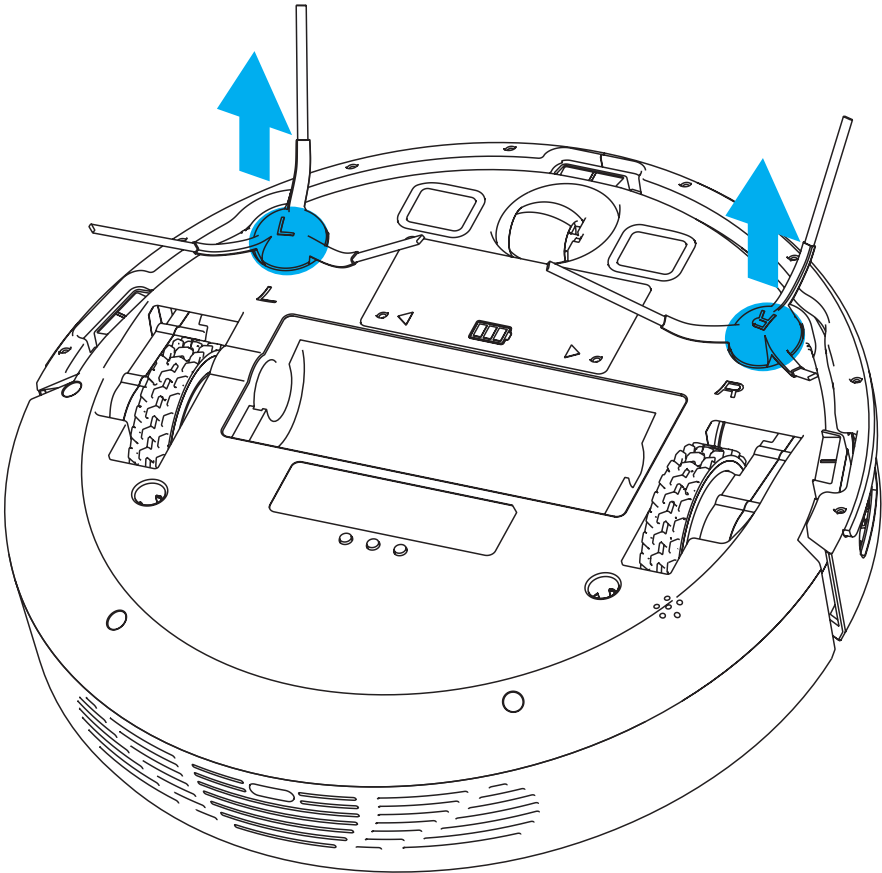
2. Use the cleaning brush that comes with the machine to remove the dust in the main brusher and the roller brush cavity, and then clean the objects entangled on the roller brush.



CLEANING & MAINTENANCE (CONT.)

SIDE BRUSH

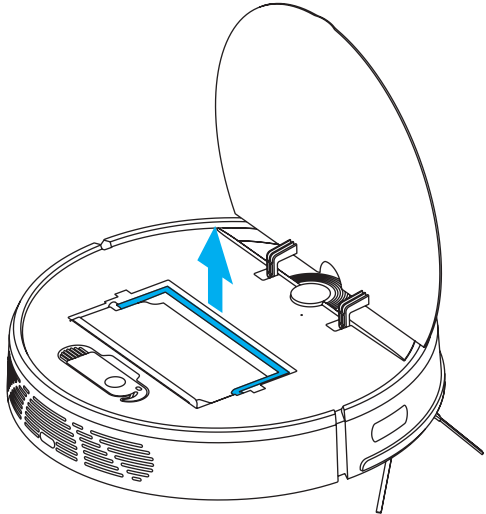
1. Flip the robot vacuum upside down and pull out the side brushes.
2. If anything is entangled on the side brush make sure to remove it
3. Reinstall the side brushes by aligning (L) with L marked side brush and (R) with R marked side brush. Press side brushes in until it clicks to reinstall them.



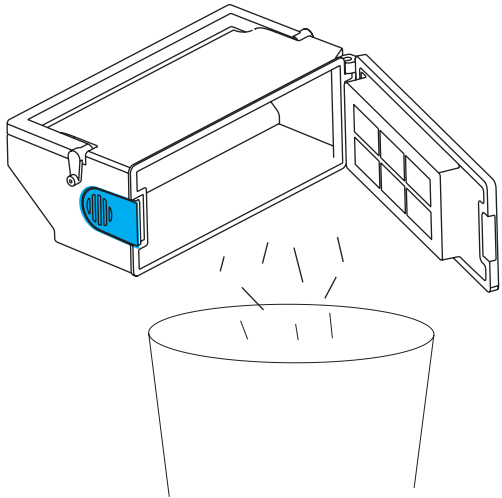
CLEANING & MAINTENANCE (CONT.)

DUST BOX AND FILTER

1. Flip the robot vacuum upside down and lift the handle for the dust box and pull out the dust box.



2. Press the switch on the side of the dust box to open it.

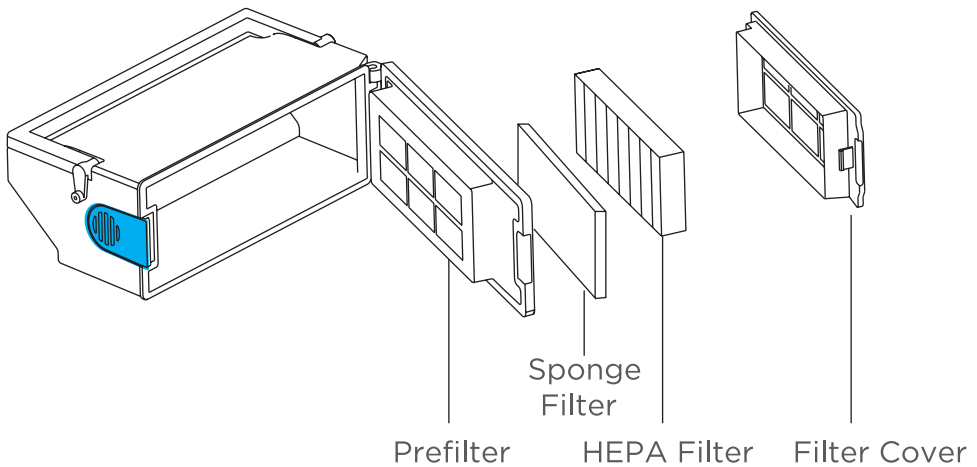


CLEANING & MAINTENANCE (CONT.)

CHANGING THE FILTERS

1. After cleaning out the dust box, you can press the Side button to open the dust box and have access to the filters.
2. Remove the filter cover, then you can take out the PREFILTER and HEPA FILTER.
3. You can wash the DUST BOX and PREFILTER with water (only). Do only rinse the PREFILTER, DO NOT wash with a brush or your fingers.

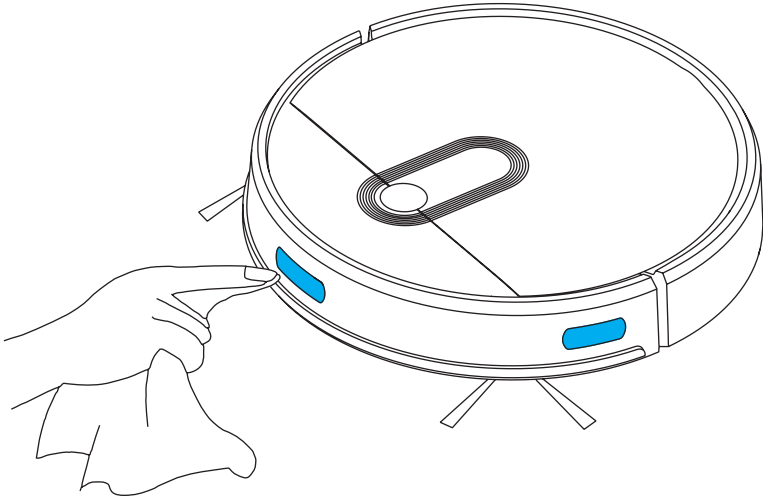
NOTE: You must let the PREFILTER dry for at least 24 hours before placing back into dust box.



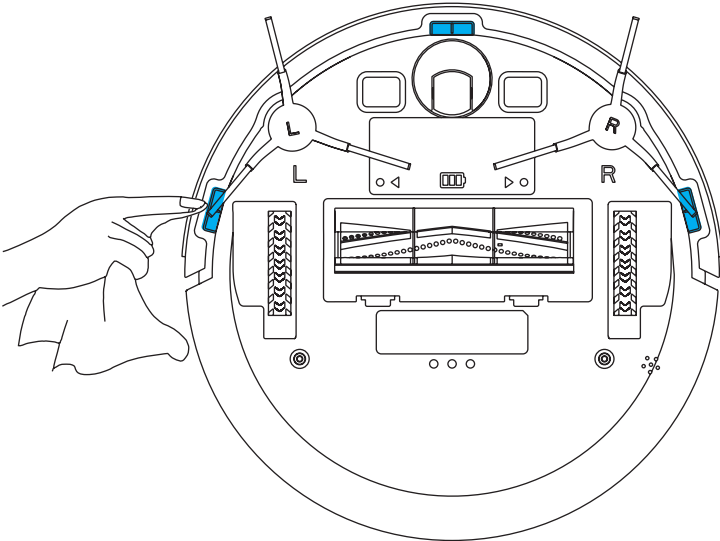
CLEANING & MAINTENANCE (CONT.)

CLEAN SENSORS AND CHARGING CONTACTS

Clean the Infrared anti-collision sensors monthly.

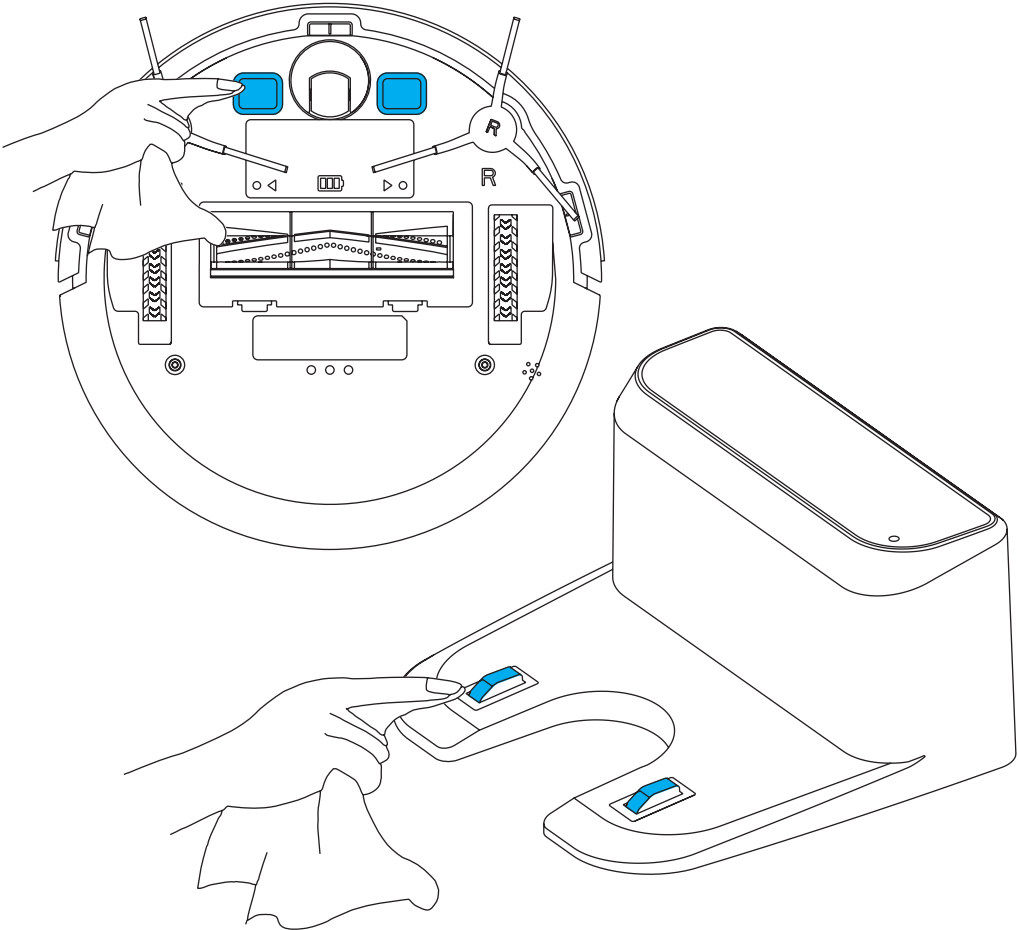


Clean the Cliff sensors, this is for detecting stairs or steps.



CLEANING & MAINTENANCE (CONT.)

Clean the charging contacts located underneath the robot vacuum



SPECIFICATIONS

Charging Input	19Vdc 0.6A
Li-ion Cylindrical Rechargeable Battery:	14.4Vdc, 2600mAh
Rating Power	42W Max.
Dust Box	450ml
Water Tank	520ml
Working Time	65-90 mins
Charging Time	up to 5 hours
Dimensions	315 (w) x 315 (d) x 76 (h) mm
Weight	Net: 2.4 kg
	Gross: 4.3 kg

CHARGING DOCK

Rated Input	19Vdc 0.6A
Rated Output	19V 0.6A
Dimensions	158 (w) x 147 (d) x 84 (h) mm

THIS PAGE HAS
BEEN LEFT BLANK
ON PURPOSE.

ROBOTIKA

CUSTOMER SUPPORT:

info@ayonz.com

DISTRIBUTED BY:

Ayonz Pty Ltd